

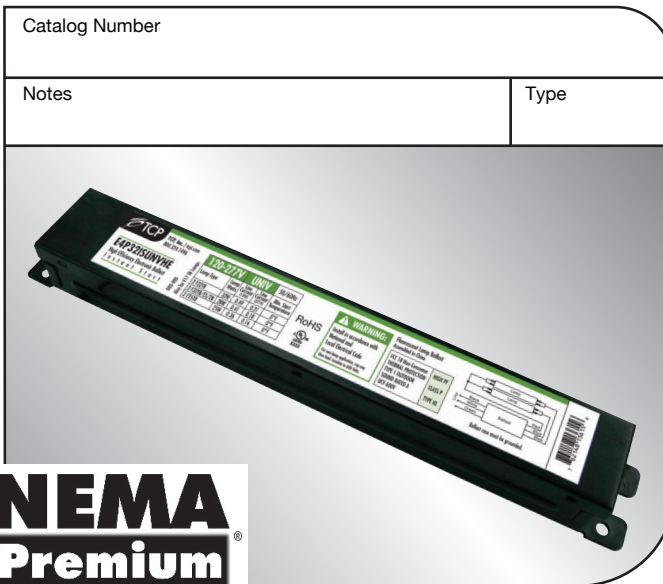
<b>Instant Start Electronic Ballast</b>	120 or 277 Voltage
---	--------------------

### Application and Performance:

- Energy saving high efficiency instant start electronic ballast (> 90%)
- Multi-voltage technology handles voltage from 120 to 277v
- Anti-Striation Control for better light quality, with no striations
- Active Power Factor Correction - Ballast regulates the output to each lamp with individual lamp inverter modules

### General Characteristics:

Application	4 or 3 F32T8 120 to 277v 1.15BF
Ballast Type	Electronic – High Efficiency Multivolt Instant Start
Starting Method	Instant Start
Lamp Wiring	Parallel
Line Voltage Regulation (+/-)	10%
Ambient Temp (Max)	105°F / 41°C
Case Temp (Max)	167°F / 75°C
Ballast Factor	High (1.15)
Sound Rating	A
Supply Current Frequency	50 Hz / 60 Hz



### Dimensions:

#### CASE DIMENSIONS

Length (L)	9.5 in
Width (W)	1.7 in
Height (H)	1.2 in

#### LEAD LENGTHS

White/Black	25 in
Red/Blue	31 in
Yellow	46 in

Weight . . . . . 1.8 lbs.

Exit Type . . . . . Side

Remote Mounting  
Distance to lamp . . . . . 18 ft.

Remote Mounting  
Wire Gauge . . . . . 18 AWG

Case Quantity . . . . . 10

UPC . . . . . 762148136231

Lamp Type	Line Volt.	Num. of Lamps	Rated Lamp Watts	Min. Start Temp. (°F/°C)	Input Current (Amps)	Input Power (Watts)	MAX. THD%	Power Factor	Ballast Factor	MAX. Lamp Current Crest Factor	B.E.F.
<b>F32T8</b>	120	4	32	0/-18	1.24	147	10	0.99	1.18	1.70	0.80
		3	32	0/-18	1.03	122	10	0.99	1.27	1.70	1.04
	277	4	32	0/-18	0.53	145	15	0.99	1.18	1.70	0.81
		3	32	0/-18	0.44	120	15	0.99	1.27	1.70	1.06
<b>F28T8</b>	120	4	28	0/-18	1.09	130	10	0.99	1.18	1.70	0.91
		3	28	0/-18	0.88	104	10	0.99	1.27	1.70	1.22
	277	4	28	0/-18	0.47	128	15	0.99	1.18	1.70	0.92
		3	28	0/-18	0.38	105	15	0.99	1.27	1.70	1.21
<b>F25T8</b>	120	4	25	0/-18	0.99	118	10	0.99	1.18	1.70	1.00
		3	25	0/-18	0.81	96	10	0.99	1.27	1.70	1.32
	277	4	25	0/-18	0.43	116	15	0.99	1.18	1.70	1.02
		3	25	0/-18	0.35	95	15	0.99	1.27	1.70	1.34
<b>F17T8</b>	120	4	17	0/-18	0.67	80	10	0.99	1.18	1.60	1.47
		3	17	0/-18	0.56	67	10	0.99	1.27	1.60	1.91
	277	4	17	0/-18	0.30	80	15	0.96	1.18	1.60	1.48
		3	17	0/-18	0.26	67	19	0.93	1.27	1.60	1.91

Note: the above data is tested at 60Hz.

Application and Performance Specification Information Subject to Change without Notification.

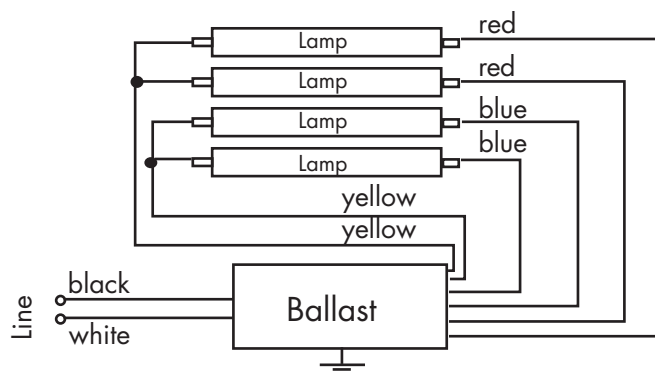
Fully meets UL&cUL safety standards.

### Performance:

- Meets ANSI Standard C82.11-1993
- Meets ANSI Standard C62.41-1991
- Meets FCC 18 Non CONSUMER Limits
- NEMA Premium

### Safety:

- No PCB's
- UL Listed (Class P, Type 1 Outdoor)
- OCV 600V



Note: For three lamps application, cap any blue/red lead. Insulate to 600 volts.